

Product Datasheet

Portable self-contained eye, face and body wash - 15 L / 4 US gal

38GEW

For effective decontamination of the eyes and face, as well as direct parts of the body. Suitable for situations where small spillages of chemicals are possible and hazardous to the health of employees. The unheated 15 L / 4 US gal cylinder features the handheld Optiflex on a flexible hose which is trigger activated with a lock-on device for ease of use.

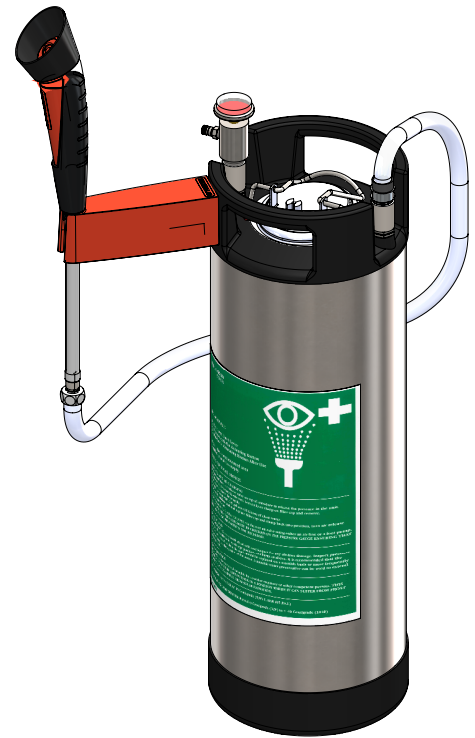
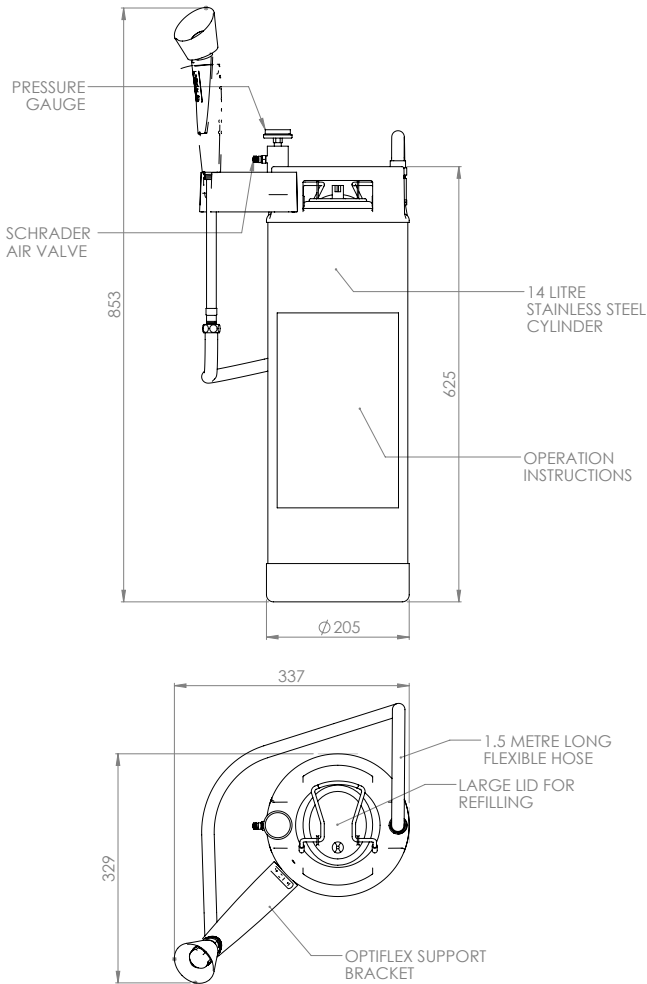


Specifications

MATERIALS OF CONSTRUCTION	
BODY	Stainless steel cylinder
SERVICES	
CAPACITY	15 L / 4 US gal
FLOW RATES	6 L per minute / 1.6 US gal per minute
OPERATING PRESSURE	6.9 BAR G / 100 PSI
BURST PRESSURE	69 BAR G / 1000 PSI
OPERATION	
EYE/FACE WASH	Hand operated lever
DIMENSIONS & WEIGHT	
DIMENSIONS (WxDxH)	267mm (10.5in) x 242mm (9.5in) x 820mm (32.3in)
WEIGHT	Empty: 5kg / 11lb. Full: 20kg / 44lb.

General Arrangement Drawing

Portable self-contained eye, face and body wash - 15 L / 4 US gal 38GEW



ISOMETRIC VIEW